

# Technical data sheet



## Product features

### Panini grill smooth electric 41x41 teflon 230 V

<b>Model</b>	<b>SAP Code</b>	00007305
--------------	-----------------	----------



- Top type: Smooth
- Griddle dimensions [mm x mm]: 365 x 240
- Griddle thickness [mm]: 8.00
- Container for liquid fat: Yes
- Independent heating zones: Joint control of top and bottom plate
- Maximum device temperature [°C]: 300
- Surface finish: teflon coating

<b>SAP Code</b>	00007305	<b>Power electric [kW]</b>	3.000
<b>Net Width [mm]</b>	409	<b>Loading</b>	230 V / 1N - 50 Hz
<b>Net Depth [mm]</b>	400	<b>Griddle dimensions [mm x mm]</b>	365 x 240
<b>Net Height [mm]</b>	210	<b>Top type</b>	Smooth
<b>Net Weight [kg]</b>	20.00		

# Technical data sheet



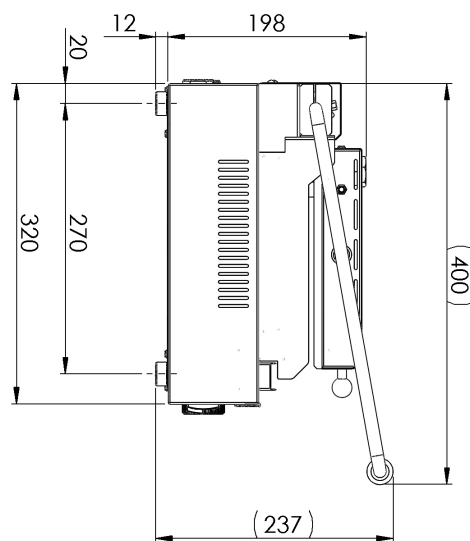
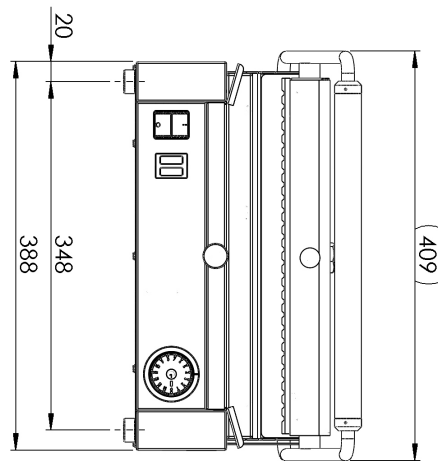
Technical drawing

Panini grill smooth electric 41x41 teflon 230 V

Model

SAP Code

00007305



# Technical data sheet



## Product benefits

### Panini grill smooth electric 41x41 teflon 230 V

Model

SAP Code

00007305

1

#### All-stainless design

only stainless steel intended for food contact is used

- absolutely rust-proof and non-magnetic design
- resists even weak acids easier compliance with hygiene standards (HACCP); easy maintenance and cleaning

2

#### Run and warm-up light

optical possibility to check the status of the device

- the operator immediately knows what state the appliance is in on/off, heating/not heating

3

#### Outlet for waste liquids

waste fluid, the fat is no longer burned and drains into the reservoir (drawer)

- the waste liquid (grease) is not burned off and does not flow onto the table or the floor

4

#### Grill plate with steel alloy 8mm

high thermal conductivity strength stability

- quick heat up the grill plate does not warp or bulge
- faster heating than cast iron
- grills better than stainless steel
- food does not stick to it

# Technical data sheet



## Technical parameters

### Panini grill smooth electric 41x41 teflon 230 V

<b>Model</b>	<b>SAP Code</b>	00007305
--------------	-----------------	----------

**1. SAP Code:**

00007305

**2. Net Width [mm]:**

409

**3. Net Depth [mm]:**

400

**4. Net Height [mm]:**

210

**5. Net Weight [kg]:**

20.00

**6. Gross Width [mm]:**

470

**7. Gross depth [mm]:**

435

**8. Gross Height [mm]:**

230

**9. Gross Weight [kg]:**

21.00

**10. Device type:**

Electric unit

**11. Construction type of device:**

Table top

**12. Power electric [kW]:**

3.000

**13. Loading:**

230 V / 1N - 50 Hz

**14. Protection of controls:**

IPX4

**15. Material:**

Stainless steel

**16. Indicators:**

operation and warm-up

**17. Surface finish:**

teflon coating

**18. Maximum device temperature [°C]:**

300

**19. Minimum device temperature [°C]:**

50

**20. Griddle dimensions [mm x mm]:**

365 x 240

**21. Griddle thickness [mm]:**

8.00

**22. Container for liquid fat:**

Yes

**23. Independent heating zones:**

Joint control of top and bottom plate

**24. Uniform heating:**

Yes

**25. Top type:**

Smooth

**26. Power consumption of the zone 1 [kW]:**

1,8

**27. Power consumption of the zone 2 [kW]:**

1,2